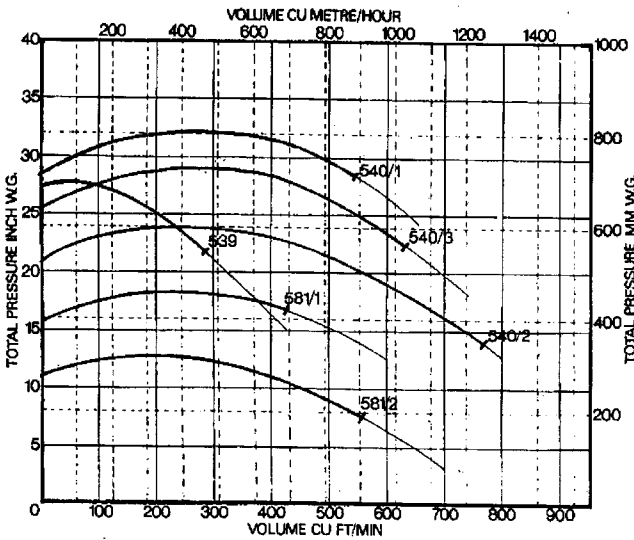


GAS BOOSTERS

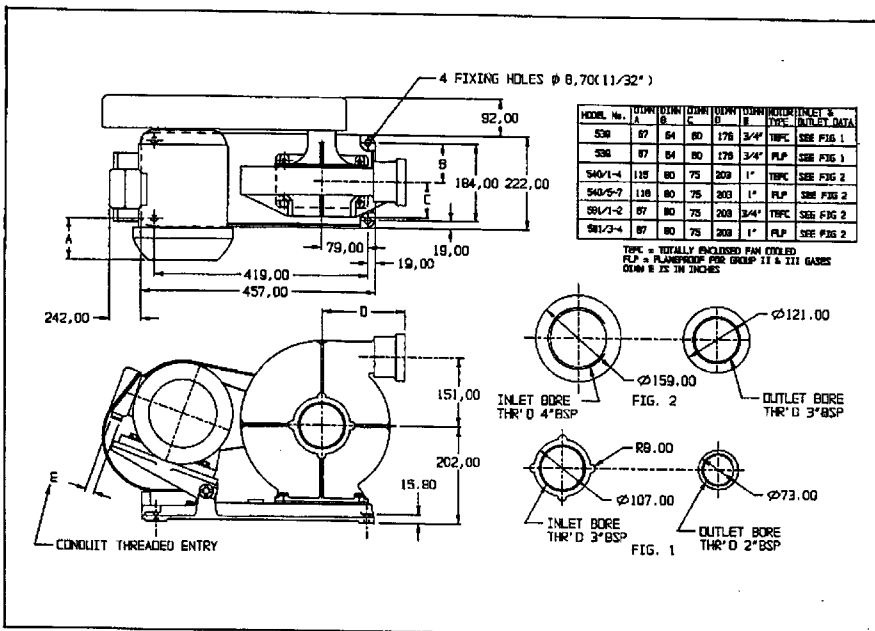
Model No.	540/1	540/2	540/3	581/1	581/2	539
Motor (kw)	4.0	4.0	4.0	2.2	2.2	2.2
Phase	3	3	3	3	3	3
Max. Running Current (A)	7.2	7.2	7.2	4.7	4.7	4.7
Weight (kg)	60	60	60	43	43	36

Current readings are based upon voltages of 400v 3 Phase and 230v 1 Phase



Natural gas performance curves based on gas density of 0.6 standard air.

Thick line indicates continuous rating.



Noise levels have been measured at a distance of 1m from the blower, which was fitted with a ducted inlet and outlet

Noise Level dB(A)	540/1	540/2	540/3	581/1	581/2	539
	85	83	84	83	80	87

Further information is available on request