

MDFL 2800 / 3300 / 4000 DUAL FUEL BURNER

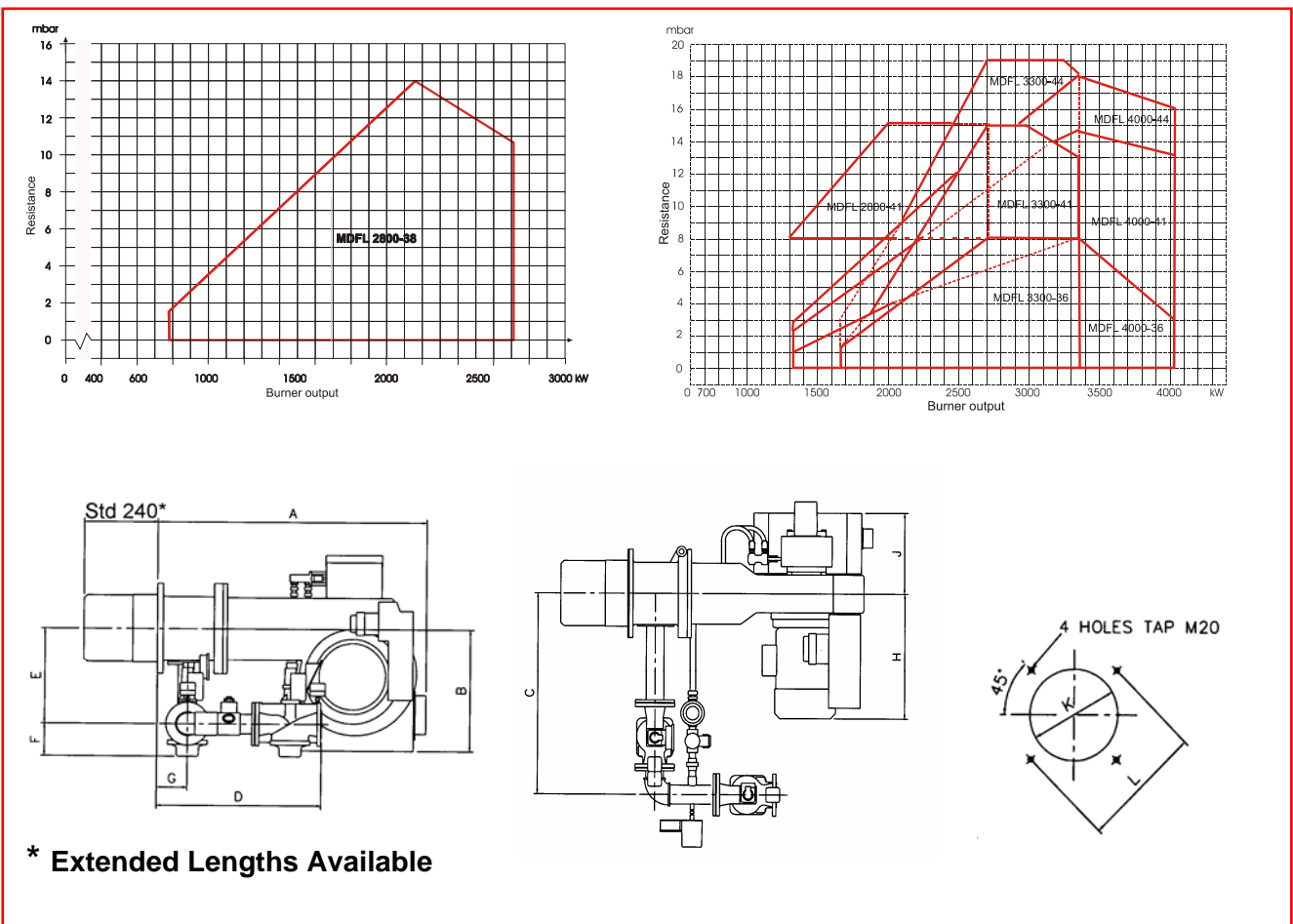
2184-4095 kW



- Designed and approved in accordance with the European Standard EN 267 and EN 676
- 2 stage or modulating gas/2 stage oil operation
- Plug-in contact facilitates the installation
- Available for natural gas, LPG, town gas, biogas
- Light or heavy oil
- Hinged flange

NU-WAY

Type	MDFL 2800	MDFL 3300	MDFL 4000
Capacity	2184-2730	2684-3367	3276-4095
Motor	400/50 38 7.4 / 14.4 41 11.0 / 24.0	400 / 50 36 7.5 / 17.5 41 11.0 / 24.0 44 15.0 / 24.0	400 / 50 36 7.5 / 24.0 41 11.0 / 24.0 44 15.0 / 31.0
Control unit	Landis	Landis	Landis
Max inlet pressure	300	300	300
Flame monitoring	UV cell	UV cell	UV cell
Air damper motor	Landis	Landis	Landis
Leakage control	•	•	•
Gross weight	300	694	724
Volume	2.005	5.629	5.629



Burner	A	B	C	D	E	F	G	H	J	K	L
MDFL 2800-38	1081	475	920	735	415	165	141	500	350	280	305
MDFL 2800-41	12445	560	955	760	445	165	141	600	385	350	454
MDFL 3300	1245	560	955	760	445	165	141	600	385	350	454
MDFL 4000	1245	560	925	760	410	165	141	600	385	350	454



Nu-way Limited
P O Box 1, Vines Lane
Droitwich
Worcestershire
WR9 8NA

tel: +44 (0) 1905 794331
fax: +44 (0) 1905 794017

email: info@nu-way.co.uk
web: www.nu-way.co.uk