

MGN 2100 / 2500 / 2800 GAS BURNER

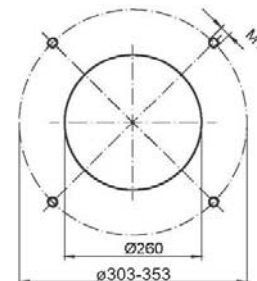
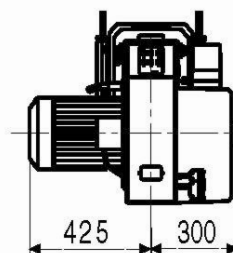
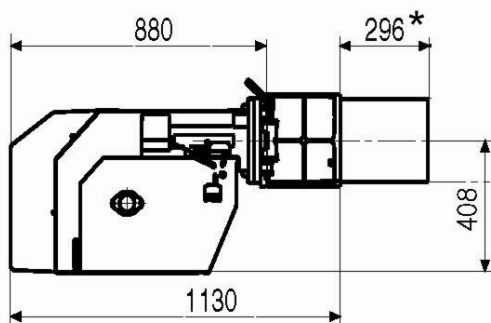
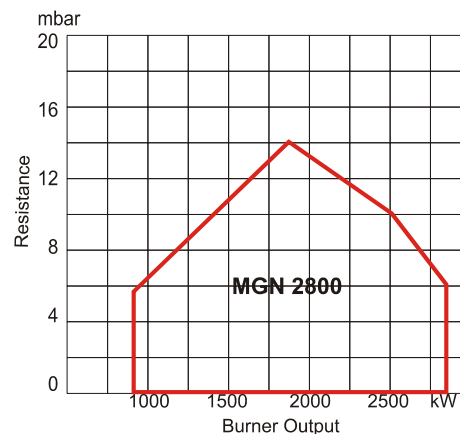
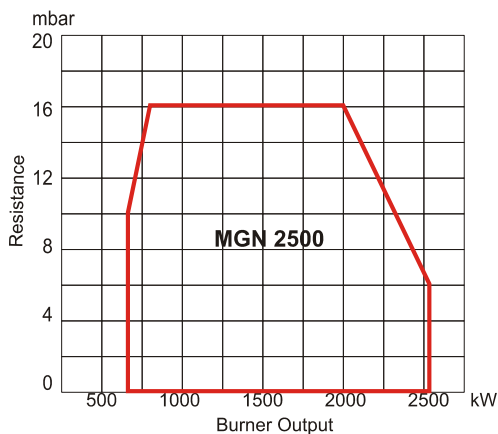
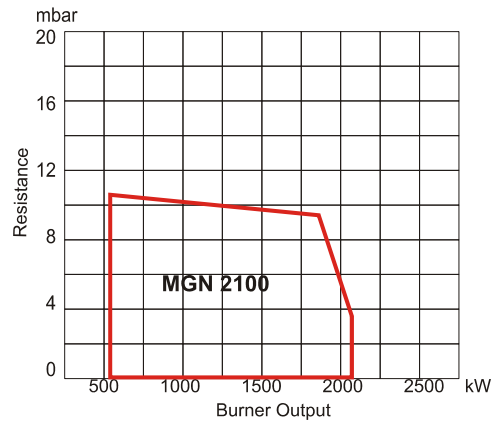
533 - 2800 kW



- Energy saving and compatible with environmental requirements
- Quiet in operation and designed for easy maintenance
- Designed and approved in accordance with the European Standard EN 676
- Plug-in contact facilitates the installation
- Hinged flange
- Designed for two-stage or modulating operation
- Available for natural gas, LPG, town gas, biogas
- All kW ratings are in nett CV

NU-WAY

Type		MGN 2100	MGN 2500	MGN 2800
Capacity	kW	533-2148	639-2539	793-2800
Motor	V/Hz kW/A	400 / 50 4.0 / 10.2	400 / 50 4.5 / 11.4	400 / 50 5.5 / 15.5
Control box		MPA 22	MPA 22	MPA 22
Flame monitoring		IRD	IRD	IRD
Operation mode		2 stage or modulating		
Gross weight	kg	115	120	125



* Extended Lengths Available

NU-WAY

Nu-way Limited
P O Box 1, Vines Lane
Droitwich
Worcestershire
WR9 8NA

tel: +44 (0) 1905 794331
fax: +44 (0) 1905 794017

email: info@nu-way.co.uk
web: www.nu-way.co.uk

Issue 1 03/08