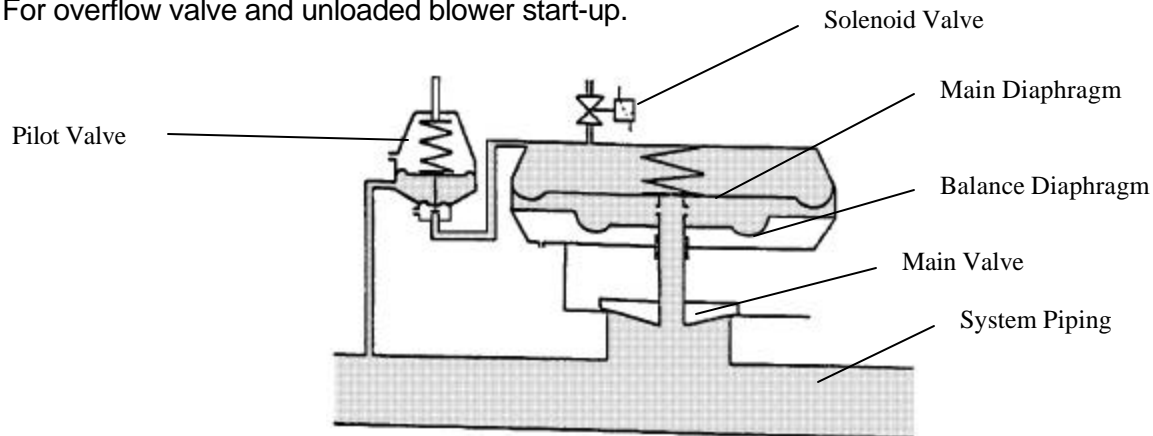
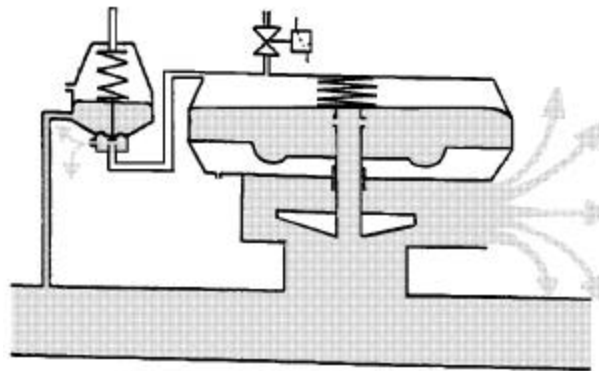


AERZEN AEROPRESS VALVE

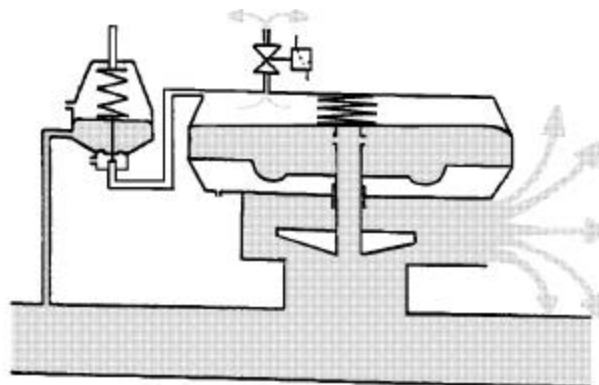
For overflow valve and unloaded blower start-up.



At standstill, the main valve and the pilot valve are held closed by spring pressure. Upon blower start up the air pressure enters the space between the main diaphragm and the balance diaphragm through the main valves' hollow spindle. The air pressure enters the upper diaphragm space in the main valve through a nozzle. The air pressure enters the pilot valve through a control pressure connection.



As soon as the air pressure reaches the set pressure level in the pilot valve, the pilot valve opens. The air trapped in the main valve upper diaphragm space can escape to atmosphere. The air pressure in the middle diaphragm space overcomes the spring pressure and the main valve opens. The piping system can be relieved of the excess flow until the piping system pressure equals the set pressure.



If the valve is to be used for NO LOAD Start-up of the blower, the Solenoid Valve is opened, allowing the air in the upper diaphragm space to escape to atmosphere. The air pressure in the middle diaphragm space overcomes the spring pressure and the main valve opens.